



Edition : 3.0  
Date: (07/24)

## Instruction Manual

# UNIVERSAL WELDER TROLLEY WTU-500

Order Code: (W241)

## SAFETY PRECAUTIONS

- The cart will adequately carry all standard hoses, tools and wire spools etc., but take care NOT to overload it. BE AWARE....Large gas bottles will cause instability
- Tighten the cylinder chains as tightly as possible to prevent the cylinders from moving during transit.
- NEVER attach the welders earth lead to the cart...a proper earth is vital to the welding process.
- Use the cart on flat smooth surfaces only.
- DO NOT position cart on sloped surfaces.
- NEVER pull the cart by the welder leads .



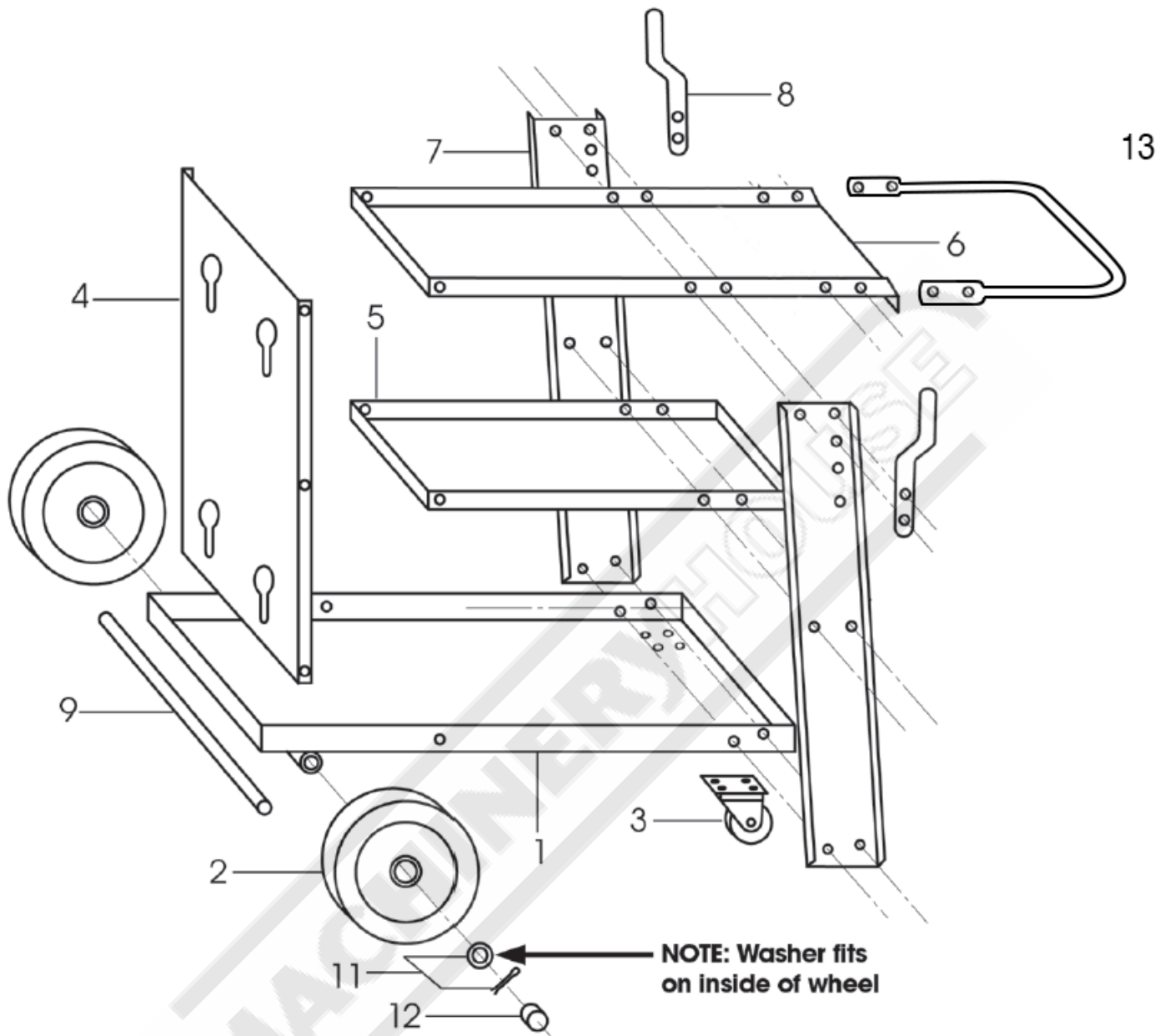
Always remember to wear the appropriate PPE when working with metal and welding equipment. Refer to your welder manufacturers recommendations for the correct settings for your welder to suit the material thickness.

## Suggestion of what Tools you will need

Please read the following instructions carefully and ensure that anyone using this unit is fully aware of the precautions to be taken when it is put to use.

**NOTE:** 10 mm spanners are required to assemble this cart





## ASSEMBLY INSTRUCTIONS

1. Slide the axle through the housing in the bottom tray, and slide a flat washer on to each end, followed by a wheel and finally secure using the split pin provided.
2. Fit the casters to the bottom tray using four nuts, bolts and washers provided.
3. Fit the side supports to the bottom tray as shown in the illustration.
4. Fit the middle and top trays to the side supports loosely, then attach the back panel. Before tightening the nuts, shake the structure to ensure that no part is under stress, then ensuring the structure is square, tighten all nuts except the top right hand nuts of the side supports. Remove these and attach the Torch Assembly brackets, then replace the nuts and tighten securely. Assembly handle to top shelf and tighten securely.
5. The gas bottle sits in the tray, supported by the back panel and secured by chains, looped through the slotted holes in the back panel.
6. Rest the welder on the top shelf. Ensuring the feet are attached before doing so.



#### **ENVIRONMENT PROTECTION**

Recycle unwanted materials instead of disposing of them as waste. All tools, accessories and packaging should be sorted, taken to a recycling centre and disposed of in a manner which is compatible with the environment. When the product becomes completely unserviceable and requires disposal, drain any fluids (if applicable) into approved containers and dispose of the product and fluids according to local regulations.

Imported by

**HARE & FORBES**  
**MACHINERYHOUSE**

Australian Distributor

**Hare & Forbes**  
**Machineryhouse**  
Sydney - Melbourne  
Adelaide - Brisbane - Perth

Ph: 1300 202 200  
[www.machineryhouse.com.au](http://www.machineryhouse.com.au)

**MACHINERYHOUSE**

New Zealand Distributor

**Machineryhouse**  
Auckland  
Christchurch

Ph: 0800 142 326  
[www.machineryhouse.co.nz](http://www.machineryhouse.co.nz)